

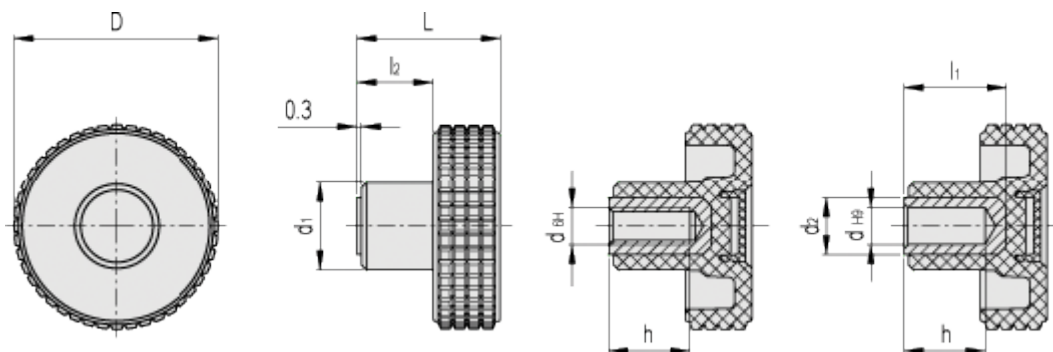
Data Sheet



Article number: 23020344165

Description: E+G Fingergreb MBT.50-B-8-C5, blue centre cap

Measures



| | | | |
|-----|------|----|------|
| D | = 50 | l2 | = 16 |
| d1 | = 20 | | |
| d2 | = 15 | | |
| dH6 | = - | | |
| dH9 | = 8 | | |
| h | = 20 | | |
| L | = 33 | | |
| l1 | = 25 | | |